



NIEUWKOOP

METEN.NL

LEAFLET



PH3000

pH TRANSMITTER

4-20MA



TO MEASURE  TO KNOW



pH Transmitter / O.R.P. Transmitter

- Two wire 4/20 mA operation
- Isolated current loop output
- LCD display
- Automatic or manual temperature compensation (pH)
- Temperature display (pH)
- 10/30 Vdc power supply
- Direct connection to PC's
- Din Rail mounting
- Detachable terminal block

General informations

pH and O.R.P. transmitters incorporate a large LCD display which is easily readable even from considerable distances.

Transmitters are powered by an external power supply from 10 to 30 Vdc. The same two wires which provide power to the transmitter also carry the 4/20 mA output pH signal.

Zero and Sensitivity (span) calibration adjustments are located on the front panel and are easily accessible.

The 4/20 mA output is isolated for input into recorders or other devices requiring a 4/20 mA signal. The input/output isolation also allows input into PLC, DCS or Personal Computers accepting 4/20 mA signals.

A common power supply may be used to power other transmitters without interference from other measurement devices or sensors.

All plastic construction provides maximum resistance to corrosion. Detachable terminal block connectors and Din Rail mounting provide for easy field installation.

The PH 3630 transmitter will display temperature values of manual or automatic temperature compensation devices. Automatic Temperature Compensation is achieved with use of a 100 ohm platinum RTD.

Technical Specifications

Display: LCD

Inputs pH 3630: pH electrode Pt100 3

Input MV 3630: O.R.P. electrode

Output: 4/20 mA dc isolated

Scales PH 3630: 0/14.00 pH -10.0/120.0 °C

Scale MV 3630: 0/1000 mV

Temperature Compensation: manual or automatic (PH 3630 only)

Zero: adjustable $\pm 15\%$

Sensitivity: adjustable from 86% to 112%

Input Current: < 2 pA

Input Resistance: > 1012 ohm

Operating Temperature: 0/50 °C

Operating Humidity: 0/95% R.H. non-condensing

Power supply: 10/30 Vdc

Isolation: 500 V input to output

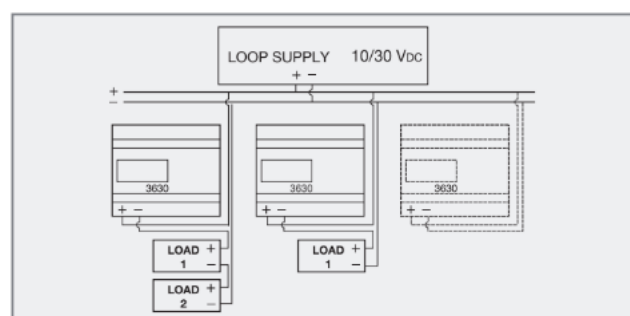
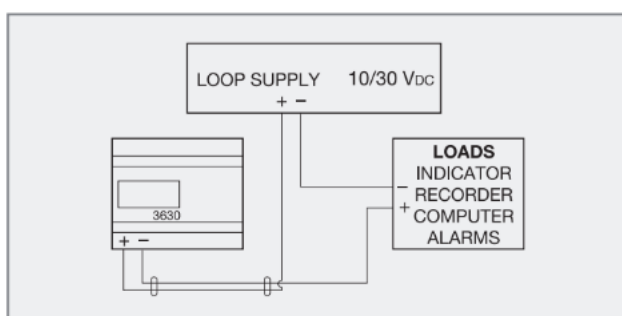
Terminal block: detachable

Net Weight: 200 g

Dimensions: 105 x 95 x 58 mm (6 modules)

Mounting: DIN Rail (35 x 7.5 mm Rail)

The technical specifications could be changed without notice.





TO MEASURE  TO KNOW

Nieuwkoop BV

Aalsmeerderweg 249 -S
1432 CM AALSMEER

0297 325836

info@nieuwkoopbv.nl
www.meten.nl



NIEUWKOOP